

Model 72X



- Cast construction in Ductile Iron or Stainless Steel
- Conforming to the PED, CE-marked
- Sizes 1" to 6"

FEATURES

- Flanged or threaded DIN and ANSI end connections
- Ductile Iron models designed to 10 bar, 120°C
- Stainless steel models designed to 16 bar, 120°C
- Bolted Cover
- Machined basket seat with o-ring seal
- Large capacity 316 stainless steel baskets, perforated or mesh
- Bottom drain port
- Mounting feet for stable installation for flanged units 2" and larger
- Basket perforations from $\frac{1}{32}$ " to $\frac{1}{2}$ "
- Basket mesh from 20 to 400 (900 - 25µm)

OPTIONS

- NBR, EPDM, FPM or FEP encapsulated FPM O-rings
- Gauge/vent valve
- Pressure differential gauge and switches

Specifically designed for conformance in the European market, the model 72X Simplex cast manual strainer complements Eaton's range of manual pipeline strainers.

The model 72X is CE-marked to Pressure Equipment Directive (PED) and is compliant with the EN13445 and AD 2000 pressure vessel codes.

Also the model 72X pipeline strainers provide bypass-free filtration to protect process equipment in most demanding applications, including chemical, petrochemical and water pipelines that can be

temporarily shut down for strainer basket cleaning or changeout.

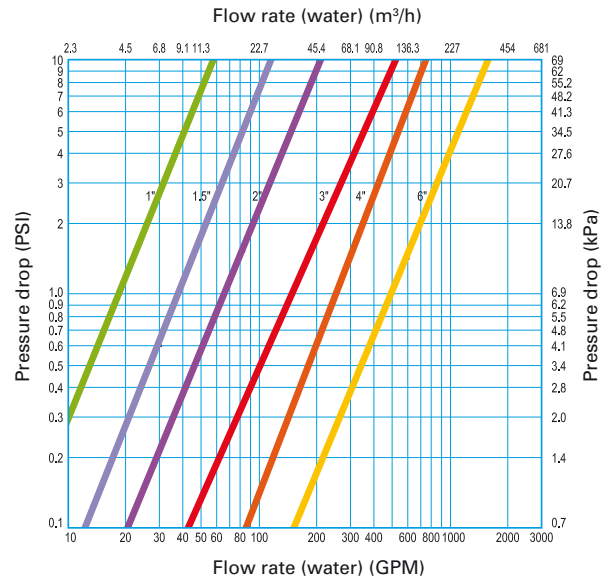
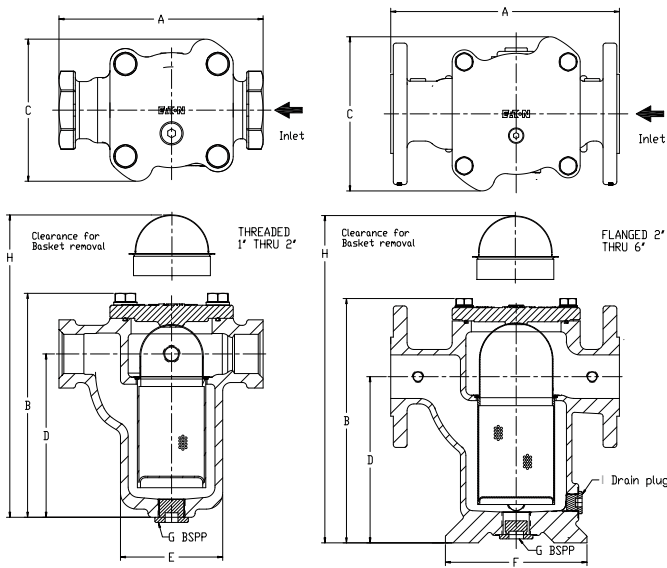
The new Simplex 72X strainer range features the same connection dimensions as Eaton's legacy 72 models, enabling simple upgrades and open up the use in new applications requiring CE-stamped strainers.

For ease of use, the new Simplex 72X models use the same strainer basket range in various retention ratings but features improved sealing with an additional O-ring underneath the basket.

EATON

Powering Business Worldwide

Model 72X Simplex Basket Strainer



Threaded Model 72X dimensions (in/mm)

Dimensions and weights are for reference only. Contact Eaton for certified drawings.

Ductile Iron models only. Additional connections G 1/4 inch for differential pressure measurement available on the housing.

Size	A	B	C	D	E	F	G	H	I	Net weight (kg)
1	6,26 / 159	7,09 / 180	4,33 / 110	5,16 / 131	3,15 / 80	-	½	12,01 / 305	-	5
1 ½	8,15 / 207	9,17 / 233	5,12 / 130	6,92 / 176	4,17 / 106	-	¾	16,00 / 406	-	8
2	10,47 / 266	11,18 / 284	7,09 / 180	7,64 / 194	5,12 / 130	6,50 / 165	1 ½*	18,90 / 480	½	13

Hole size for the integrated feet in (in/mm)

2"	5,5 / 140 x 2,75 / 70
3"	7,0 / 178 x 3,13 / 79
4"	10,0 / 254 x 3,88 / 99
6"	10,0 / 254 x 5,0 / 127

Flanged Model 72X dimensions (in/mm)

Dimensions and weights are for reference only. Contact Eaton for certified drawings.

For Ductile Iron and Stainless Steel models. Additional connections G 1/4 inch for differential pressure measurement available on the housing.

Nennweite	A	B	C	D	E	F	G	H	I	Net weight (kg)
1 / DN 25	7,63 / 194	8,38 / 180	4,00 / 110	5,00 / 131	5,00 / 80	-	½	13,00 / 305	-	7
1 ½ / DN 40	10,25 / 260	11,00 / 233	4,88 / 130	7,00 / 176	5,00 / 106	-	¾	16,00 / 406	-	11
2 / DN 50	10,50 / 266	11,18 / 284	6,75 / 180	7,63 / 194	5,13 / 130	6,25 / 165	1 ½*	20,00 / 480	½	16
3 / DN 80	13,15 / 334	16,14 / 410	8,43 / 214	12,24 / 311	6,50 / 165	8,70 / 221	1 ½*	27,00 / 686	½	33
4 / DN 100	17,36 / 441	16,14 / 410	11,89 / 302	10,71 / 272	9,65 / 245	11,40 / 289	1 ½*	26,73 / 679	½	59
6 / DN 150	19,76 / 502	24,65 / 626	11,89 / 302	18,31 / 465	9,96 / 253	11,40 / 289	2 *	50,00 / 1.270	½	94

*Size 2, 3 and 4 inch: Bottom connection 1 1/2 inch locked - not intended for any use

Size 6 inch: Bottom connection 2 inch locked - not intended for any use

North America
18684 Lake Drive East
Chanhassen, MN 55317
Toll Free: +1 800-656-3344
(North America only)
Tel: +1 732-212-4700

Greater China
No. 7, Lane 280,
Linhong Road
Changning District, 200335
Shanghai, P.R. China
Tel: +86 21 2899-3687

Europe/Africa/Middle East
Auf der Heide 2
53947 Nettersheim, Germany
Tel: +49 2486 809-0

Friedensstraße 41
68804 Altluisheim, Germany
Tel: +49 6205 2094-0

An den Nahewiesen 24
55450 Langenlonsheim, Germany
Tel: +49 6704 204-0

Asia-Pacific
100G Pasir Panjang Road
#07-08 Interlocal Centre
Singapore 118523
Tel: +65 6825-1620

For more information, please
email us at filtration@eaton.com
or visit www.eaton.com/filtration

© 2024 Eaton. All rights reserved. All trademarks and registered trademarks are the property of their respective owners. All information and recommendations appearing in this brochure concerning the use of products described herein are based on tests believed to be reliable. However, it is the user's responsibility to determine the suitability for his own use of such products. Since the actual use by others is beyond our control, no guarantee, expressed or implied, is made by Eaton as to the effects of such use or the results to be obtained. Eaton assumes no liability arising out of the use by others of such products. Nor is the information herein to be construed as absolutely complete, since additional information may be necessary or desirable when particular or exceptional conditions or circumstances exist or because of applicable laws or government regulations.