



European Filter Solutions

Filter solutions for Industry



Eaton BR110

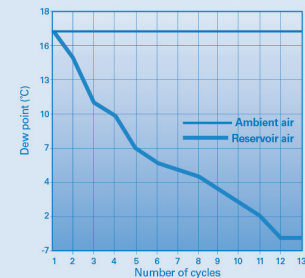
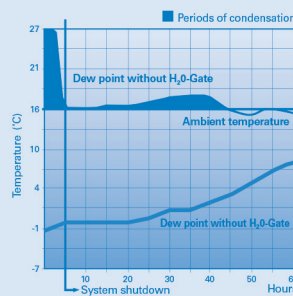
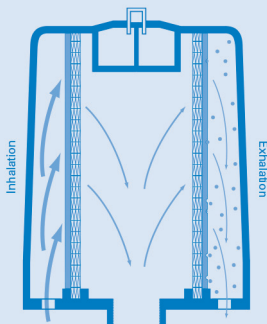
H₂O-GATE™ VENT BREATHER

Now available from leading UK filter supplier
EUROPEAN FILTER SOLUTIONS LTD

Hydraulic reservoirs “breathe” air in and out as the oil level rises and falls. This circulating air contains particles and moisture that can cause corrosion, increase equipment wear and reduce fluid performance.

The Eaton BR series of vent breathers are designed to protect the hydraulic reservoirs from these airborne contaminants. The BR110 H₂O-Gate vent breather protects systems from both particulate and moisture in the air. In typical systems, the internal hydraulic fluid is warmer than the external environment. This difference in temperatures causes

moisture to form inside the reservoir. By using the BR110 vent breather it lowers the dew point temperature below the ambient temperature and condensation does not form.



Performs as a gate

During the “inhalation” cycle, the H₂O-Gate proprietary media blocks moisture from entering the reservoir. During the “exhalation” cycle, the media allows the moisture in the reservoir air to exit. The moisture is carried off the media by the exiting air, restoring the media’s water barrier capacity, and the moisture barrier mechanism is not affected by the amount of exposure to moisture. The reservoir air is maintained at a low relative humidity, and more importantly, at a lower dew point temperature than the ambient temperature.

Works even when the system is shut down

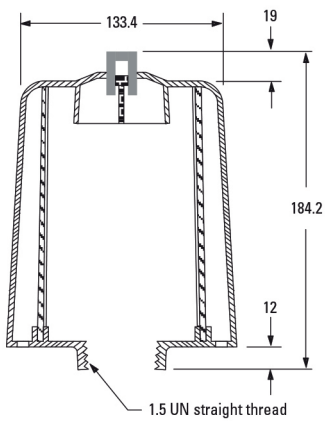
The H₂O-Gate vent breather retards the vapour equilibrium process and works to prevent condensation even after the system is shut and cooled down, such as overnight.

As this chart illustrates, the dewpoint is slow to climb, even after the system temperature has dropped to the ambient temperature. Once the system has reached ambient temperature, condensation does not occur.

Reduces humidity inside reservoir

The H₂O-Gate vent breather lowers and stabilises the relative humidity of air inside the reservoir, leading to a lower dew point (dewpoint < ambient temperature = NO CONDENSATION) at a rate and amount that will be dependent upon several conditions: the ambient conditions, the internal reservoir heat, amount and frequency of reservoir air flow through the vent, and the temperature of the reservoir surfaces.

H₂O-Gate specifications (mm)



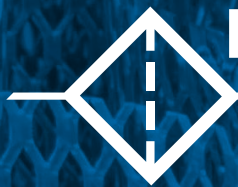
Features and benefits

- **Filters out particles**
- **Proprietary media:**
Reduces dew point temperature to prevent condensation and is 99.7% efficient in blocking particles 3 µm and larger.
- **Continuous air exchange:**
The media used prevents moisture from entering the tank as well as allowing moisture to escape the tank.
- **Durable plastic housing:**
Protects the filtration media from external splashing
- **High efficiency:** (99% at 2 µm)
- **Very low pressure drop**
- **Temperature resistant up to 121°C**
- **Rated up to 708 l/min**
- **Visual mechanical indicator:**
The indicator actuates when particles have blocked the media, before the pump cavitates
- **Easy installation:**
Lightweight design can be hand tightened onto adapter.



Industries and markets

- Hydraulic power units
- Metal forming
- Material handling
- Oil and gas
- Marine
- Gearboxes



European Filter Solutions

Filter solutions for Industry

WORLD CLASS INDUSTRIAL FILTER AND ASSOCIATED EQUIPMENT SUPPLIERS AND DISTRIBUTORS

Contact us for a free consultation,
aimed at improved system performance,
with reduced costs.

Call us : +44 (0)1709 877 400

Email us : sales@efsfilters.com

Visit : www.europeanfiltersolutions.com



**ISO
9001 : 2015
REGISTERED**

Cert No. 14127053